

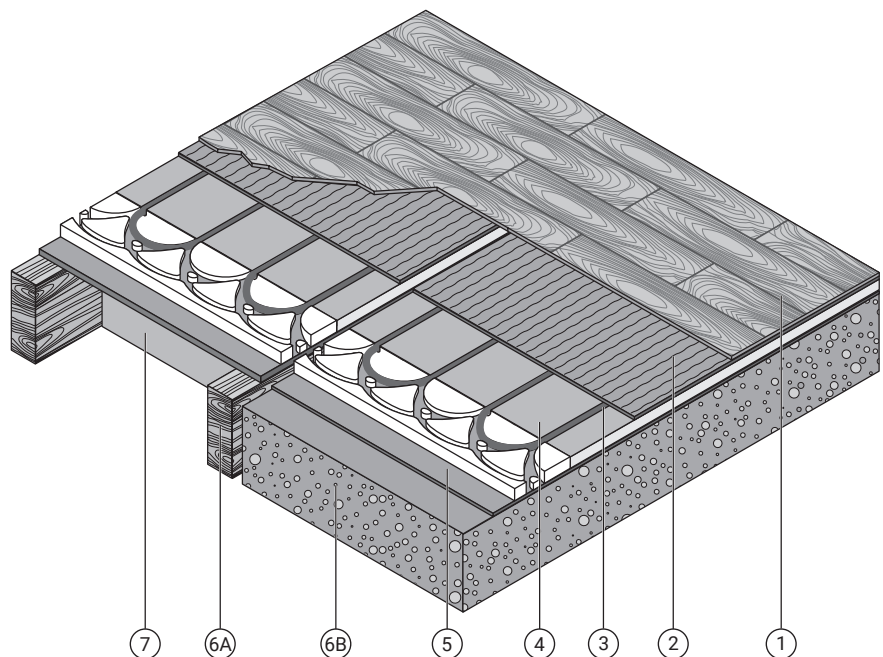
FLOOR CONSTRUCTION RECOMENDATION FOR WOOD, ENGINEERED WOOD, PARQUET AND VINYL FLOORS

Parquet floors, engineered wood or vinyl floors shall have a maximal thermal resistance (R-value) of 0,15 m²K/W. Instruction related to the floor covering as prescribed in the manufacturers installation instructions should be respected at any time during the installation.

FLOATING REFLECTA INSTALLATION

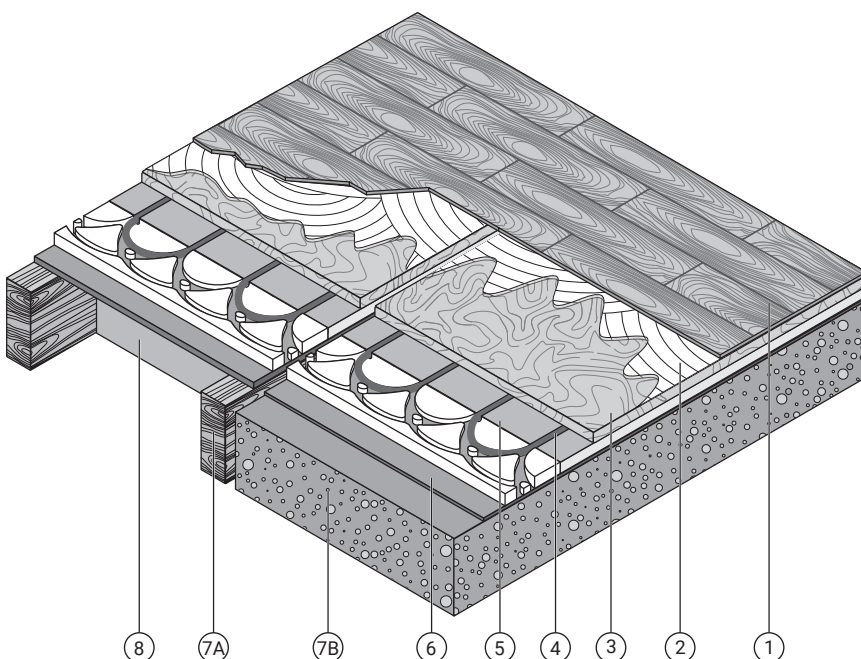
FLOOR CONSTRUCTION A:

1. Floating floor covering:
Wood, Engineered Wood,
Parquet, Vinyl floor
2. Foam or paper
3. T2Red
4. Reflecta (floating installation)
5. 0.2 mm age-resistant plastic foil
(200 mm overlap)
6. Subfloor
 - A. Joist
 - B. Screed
7. Insulation



FLOOR CONSTRUCTION B:

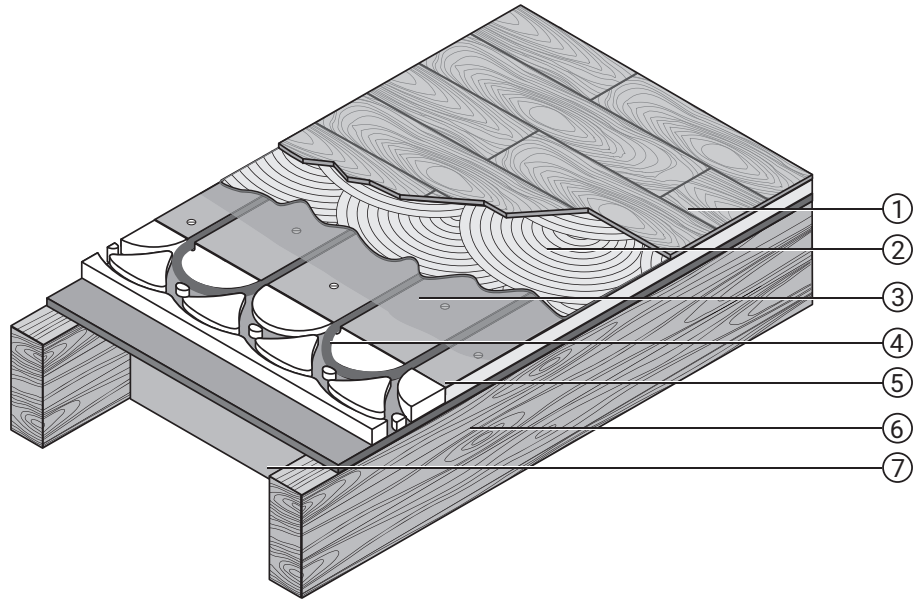
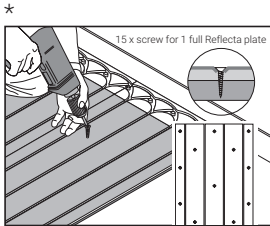
1. Wood, Engineered Wood,
Parquet, Vinyl floor
2. Glue
3. Chipwood Board (6mm)
installed floating on Reflecta
4. T2Red
5. Reflecta (floating installation)
6. 0.2 mm age-resistant plastic foil
(200 mm overlap)
7. Subfloor
 - A. Joist
 - B. Screed
8. Insulation



INSTALLATION WITH MECHANICAL FIXATION OF THE REFLECTA PLATES

FLOOR CONSTRUCTION C:

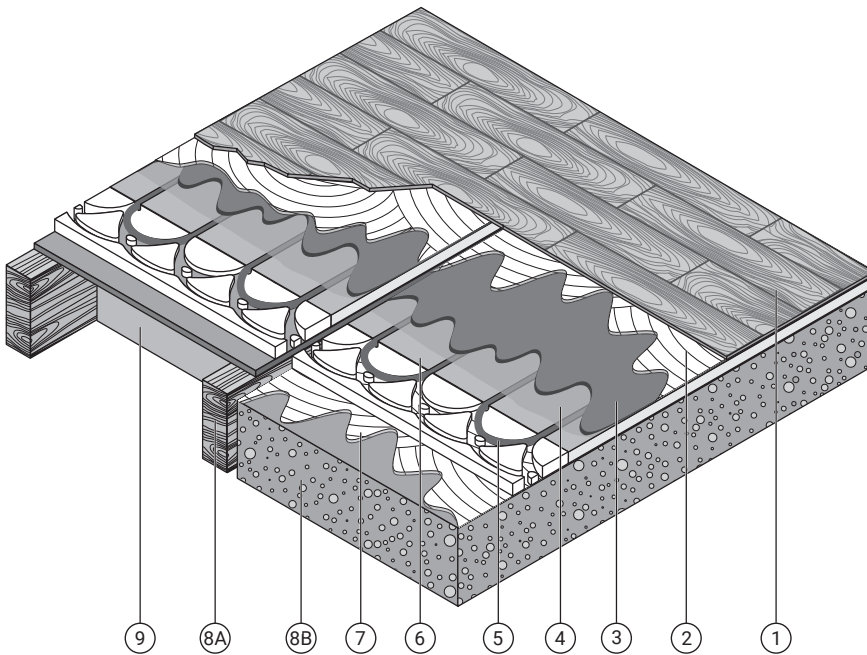
1. Wood, Engineered Wood, Parquet, Vinyl floor
2. Glue
3. nVent RAYCHEM P-Fix Primer
4. T2Red
5. Reflecta + Mechanical fixation*
6. Subfloor Joist
7. Insulation



GLUED REFLECTA INSTALLATION

FLOOR CONSTRUCTION D:

1. Wood, Engineered Wood, Parquet, Vinyl floor
2. Glue
3. Self Levelling compound Or Screed of 15-30mm
4. nVent RAYCHEM P-Fix primer
5. T2Red
6. Reflecta
7. nVent RAYCHEM A-Fix Glue
8. Subfloor
 - A. Joist
 - B. Screed
9. Insulation



Europe

Tel: +32.16.213.551
 Fax: +32.16.213.604
 Thermal.info@nVent.com

India

Tel: +91 22 6775 8800/01
 Fax: +91 22 6775 8997
 NTMinfome@nvent.com

Middle East

Tel: +971 4 823 8666
 Fax: +971 4 887 0458
 NTMinfome@nvent.com



nVent.com

Our powerful portfolio of brands:

CADDY ERICO HOFFMAN RAYCHEM SCHROFF TRACER